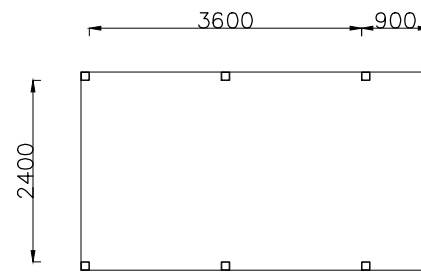


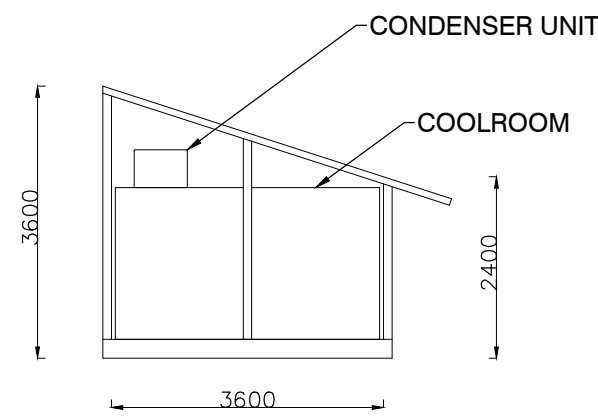
GROUND FLOOR PLAN PLAN

SCALE 1:100



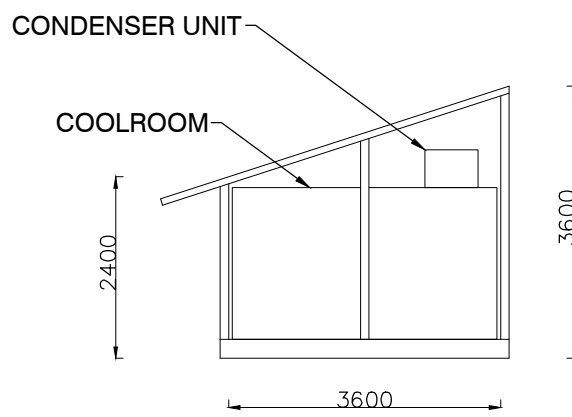
ROOF PLAN

SCALE 1:100



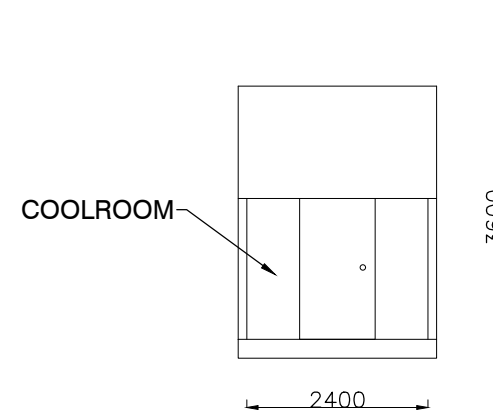
SOUTH WEST ELEVATION

SCALE 1:100



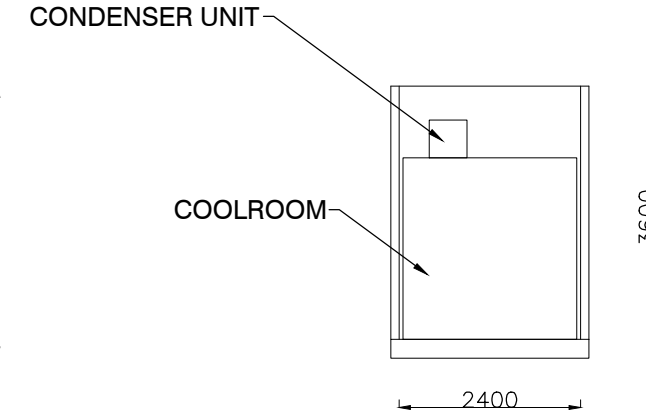
NORTH EAST ELEVATION

SCALE 1:100



SOUTH EAST ELEVATION

SCALE 1:100



SOUTH EAST ELEVATION

SCALE 1:100

NO.	AMENDMENTS	DATE
1	ISSUED FOR APPROVAL	29/01/24

<p>DRAWING TITLE: COOL ROOM PLAN</p> <p>ADDRESS: PACIFIC PARK</p>	<p>M/ 0404 719 932 E/ info@structaconsulting.com A/ PO Box 920, Concord 2137</p>
<p>DRAWN: PB</p>	<p>DESIGNED: PB</p>

<p>SCALE AT A3: 1:100</p>
<p>JOB REF NO. C08022</p>
<p>DRAWING NO. A01</p>

